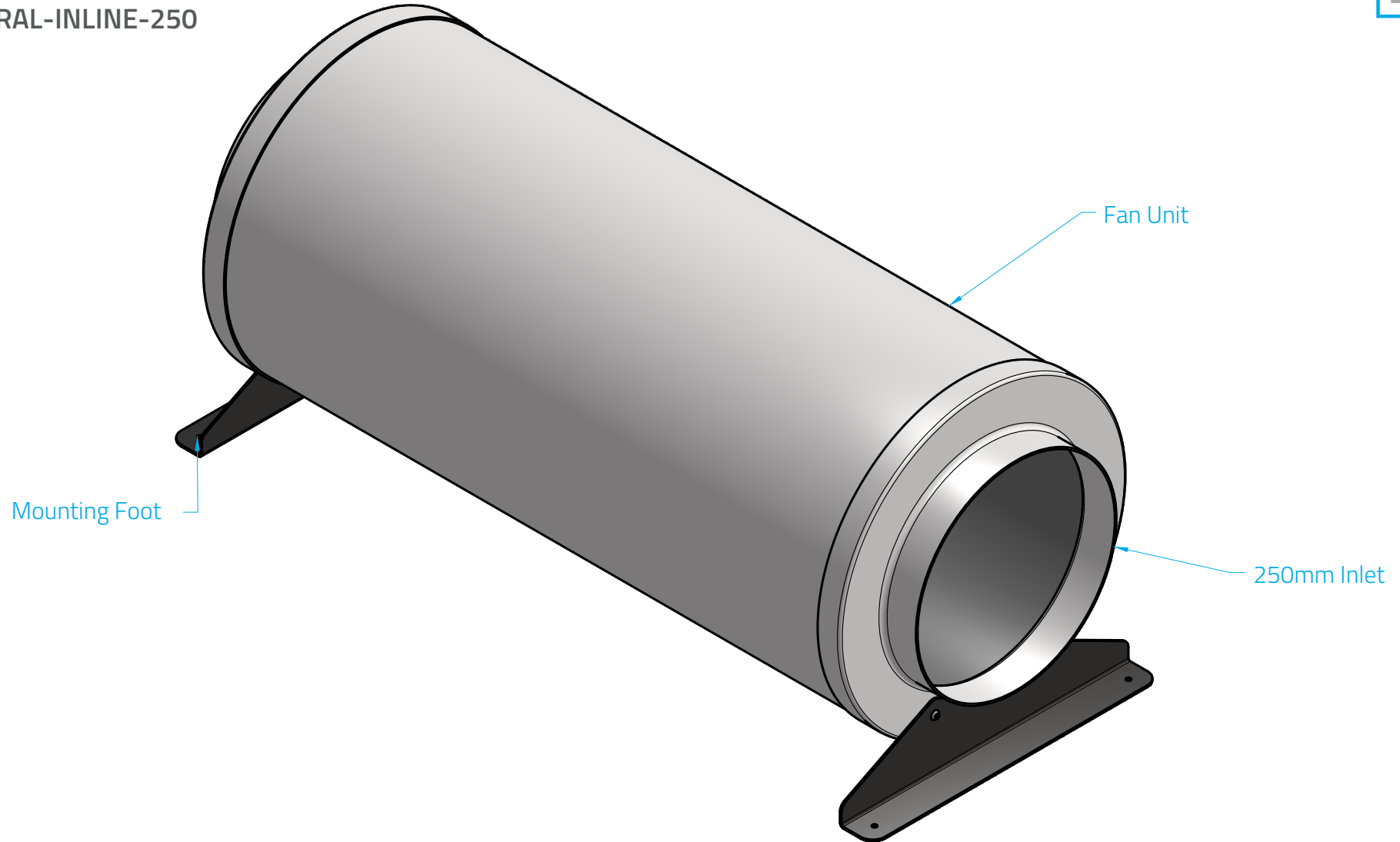


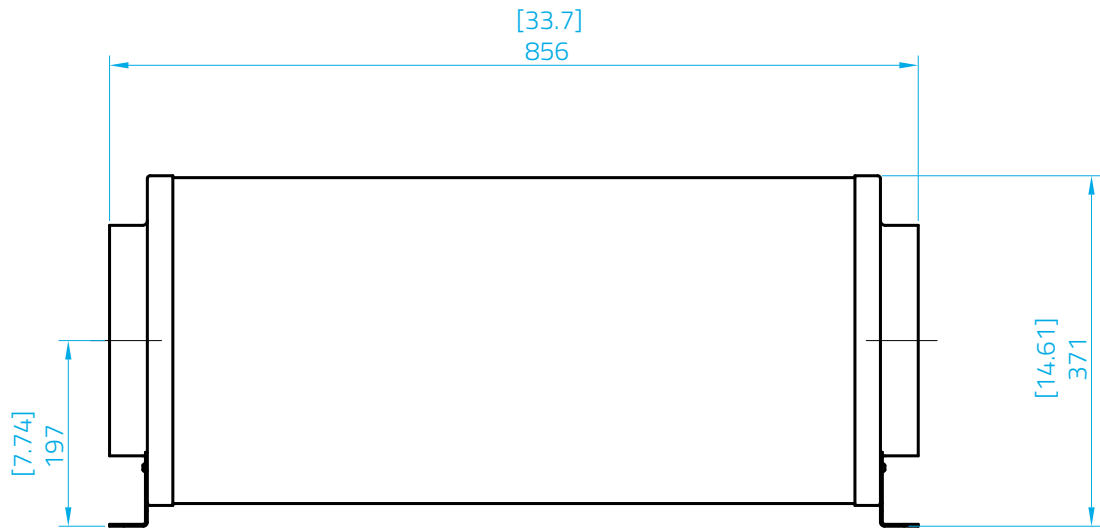


MISTRAL-INLINE-250

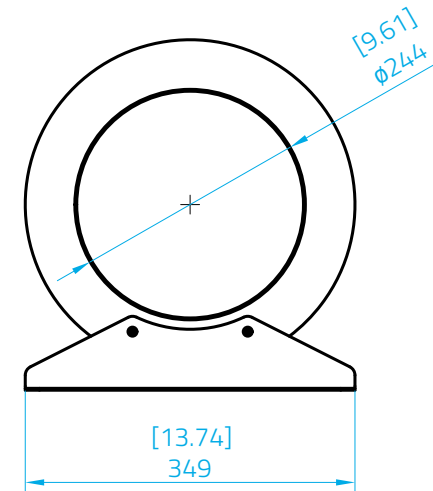


	NAME	SIGNATURE	DATE	TITLE		
DRAWN	SIMON RIDLEY	SR	2020-04-15	DT-MISTRAL-INLINE-250 AIR HANDLING UNIT 250MM [10"]		
APPROVED				SIZE	DWG NO.	REV
				A4	MISTRAL-INLINE-250 /1	1.1
UNLESS OTHERWISE SPECIFIED, DIMENSIONS ARE IN MILLIMETERS				SCALE	WEIGHT	SHEET
				1:5	13.7kg	1 of 3

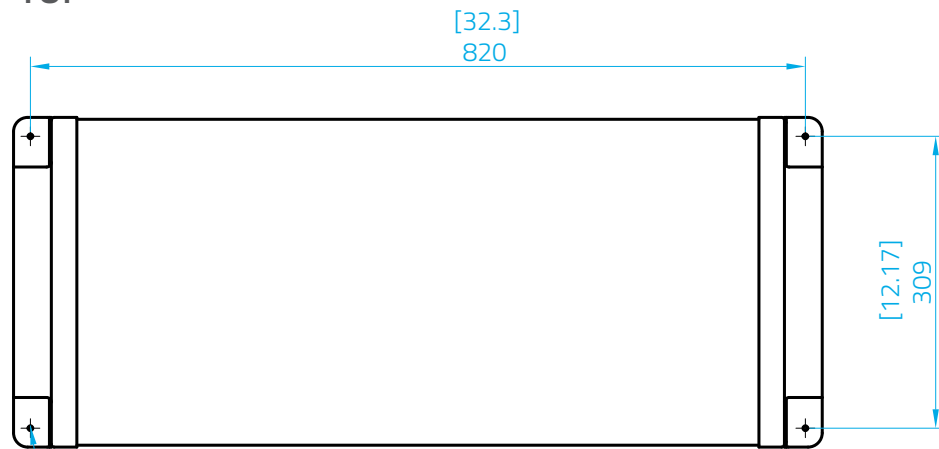
SIDE



END



TOP



Mounting Hole

SPECIFICATION

Airflow	1808 M ³ /h [1065 CFM]
Inlet Size	250mm [10"]
Outlet Size	250mm [10"]
Power	230v AC / 120V AC (model specific)
Power Consumption	150w
	IEC Cable supplied. Mains power outlet required.
Noise Level	55 dBA (max at full speed)
Nett Weight	13.7kg [30.2lbs]
Control	Fan speed Control via DT-Commander. (Proprietary link cable supplied)

NOTES

Supplied with:

- 2 x 3m 250mm acoustic flexible duct
- 2 x 250mm Hose Clips
- IEC Power Cable