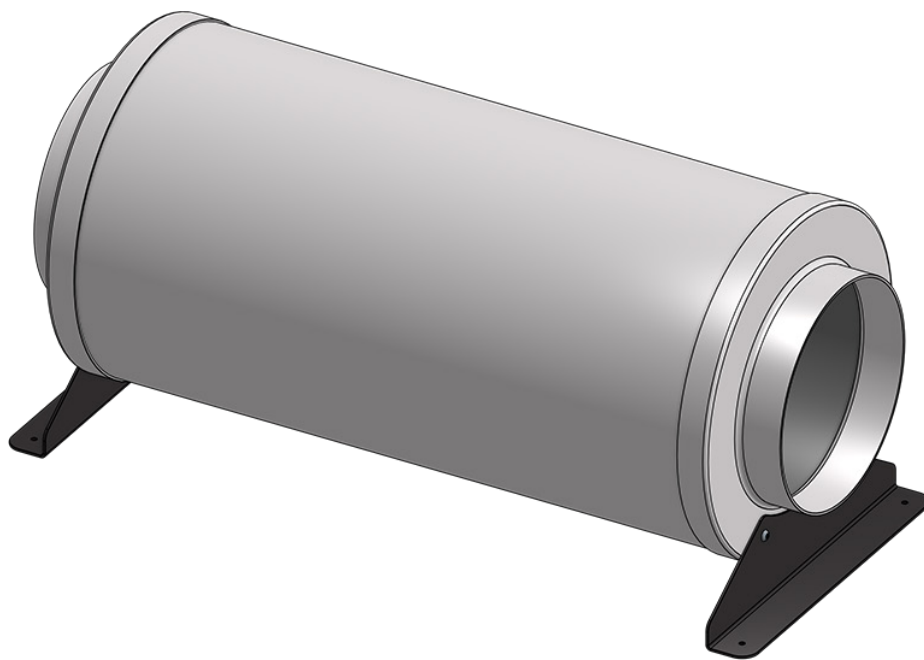


# Mistral 200

DT-M-200



Mistral 200

## **MISTRAL 200 [DT-M-200] - SILENCED INLINE 200MM FAN MODULE WITH BRUSHLESS EC MOTOR AND MISTRAL COMMANDER INTERFACE**

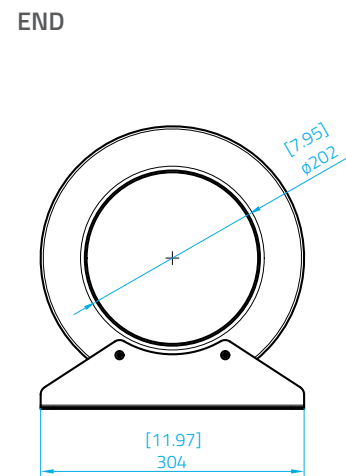
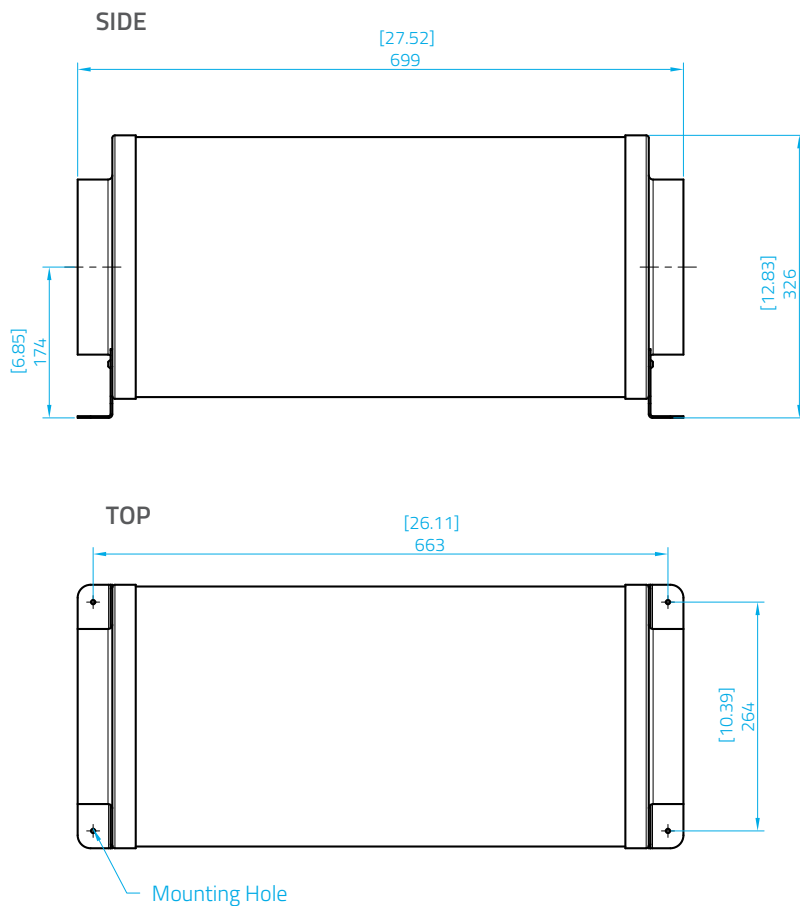
DT Mistral 200 is a silenced inline 200mm fan module with an advanced brushless EC motor and featuring a special interface to enable full monitoring and control by the Mistral Commander. The DT-M-200 delivers up to 1100 cubic meters per hour of airflow.



The silenced Mistral-200 mounting plate includes isolation fittings to minimise vibration and is supplied with 6m of perforated acoustic ducting to ensure the quietest possible air movement solution.

The M-200 contains an advanced brushless EC Motor with Mistral Commander Interface. The interface enables full reporting of fan speed and accurate speed control between 0-100% of full output. This enables M-200 to only operate when required for maximum efficiency.

The M-200 delivers up to 1100 cubic meters per hour of airflow and is ideal for applications with a heat load up to 5500 BTU/hr.



Mistral 200 - technical drawing

**Display Technologies** is a British brand specialising in advanced projector screens, mounting brackets and custom installation solutions. Their focus on the combination of technical performance and design for install, ensure that all DT products meet the needs of both the client and installer.

